


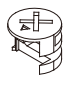



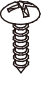
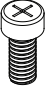


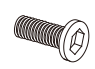








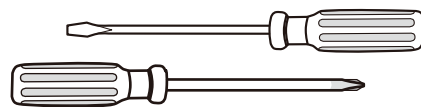
Eclipse Eight Drawer

Thank you for your purchase.
Please follow the instructions below for correct assembly

| | | | | | | | | |
|---|---|--|--|---|--|--|--|---|
| A  dowel x20 | B  screw x6 | C  bolt x64 | D  locking nut x 64 | E  screw x80 | F  Allen Key x1 | G  screw x46 | H  screw x2 | I  height adjuster x2 |
| J  wedge x16 | K  screw x16 | L  bolt x10 | M  handle x8 | N  handle screw x16 | CL  slide rail x8 | CR  slide rail x8 | DL  slide rail x8 | DR  slide rail x8 |






Hardware Supplied

WARNING: Any furniture that is not anchored to a wall has the potential to tip over in certain circumstances, i.e. if a child attempts to climb up on the furniture or in the event of an earthquake. Accordingly, we recommend that all furniture is anchored to a wall. We supply a free safety wall anchor with all furniture sold and we recommend these are used to prevent your product tipping. The fixing device provided should fit most wall types, but please note that different wall materials may require different fixing devices from those supplied.



Phillips & Flathead screwdrivers

For quicker assembly, we recommend the use of a power drill on a low-speed setting.

| | | | | |
|---|--|---|--|---|
| V  safety strap x2 | W  screw x2 | X  wall anchor x2 | Y  wall screw x2 | Z  washer x4 |
|---|--|---|--|---|

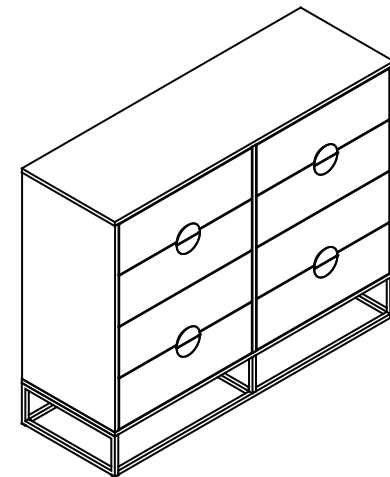
Wall Strap

Attachment of warning label:

The warning label shall be durably affixed to the inside of a top drawer within clear view when the drawer is empty and partially opened.

Attachment of swing tag:

A readily visible stand-alone swing tag shall be attached to the handle of the top left second drawer

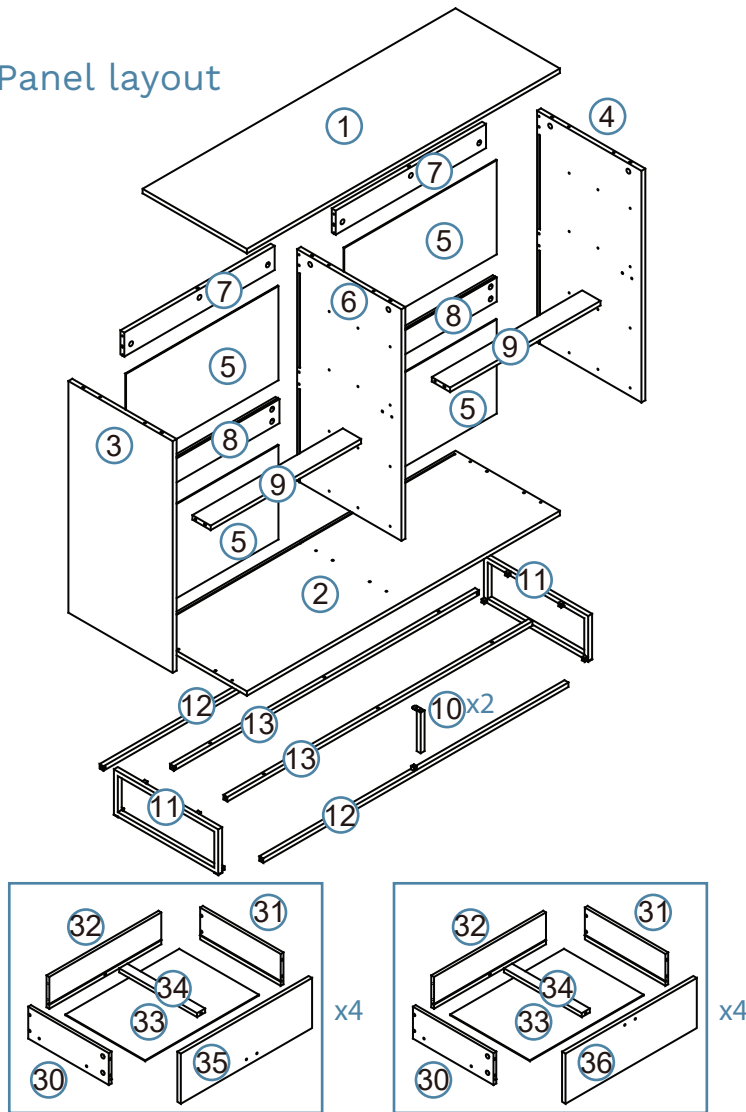


Mocka.

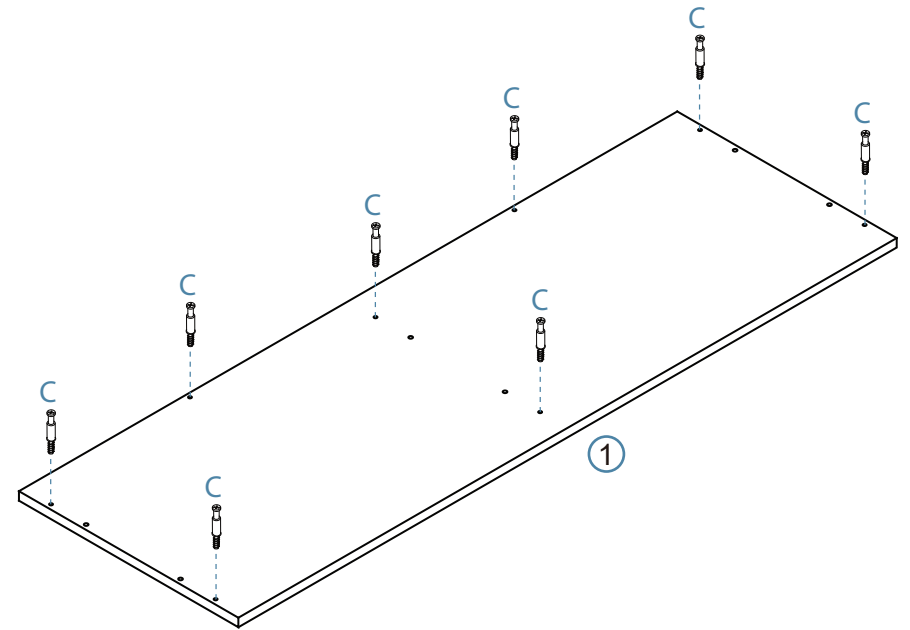
Eclipse

Eight Drawer

1 Panel layout



2

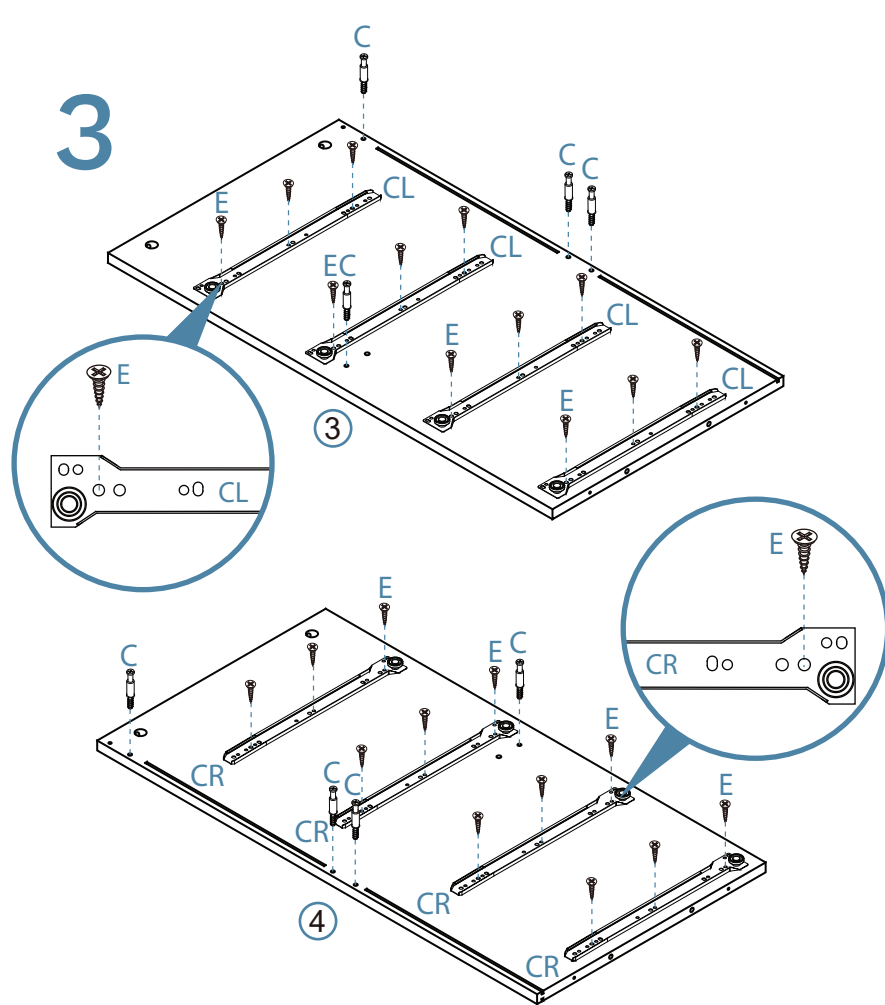


Insert 8x bolts (C) into panel [1] and tighten with a screwdriver.

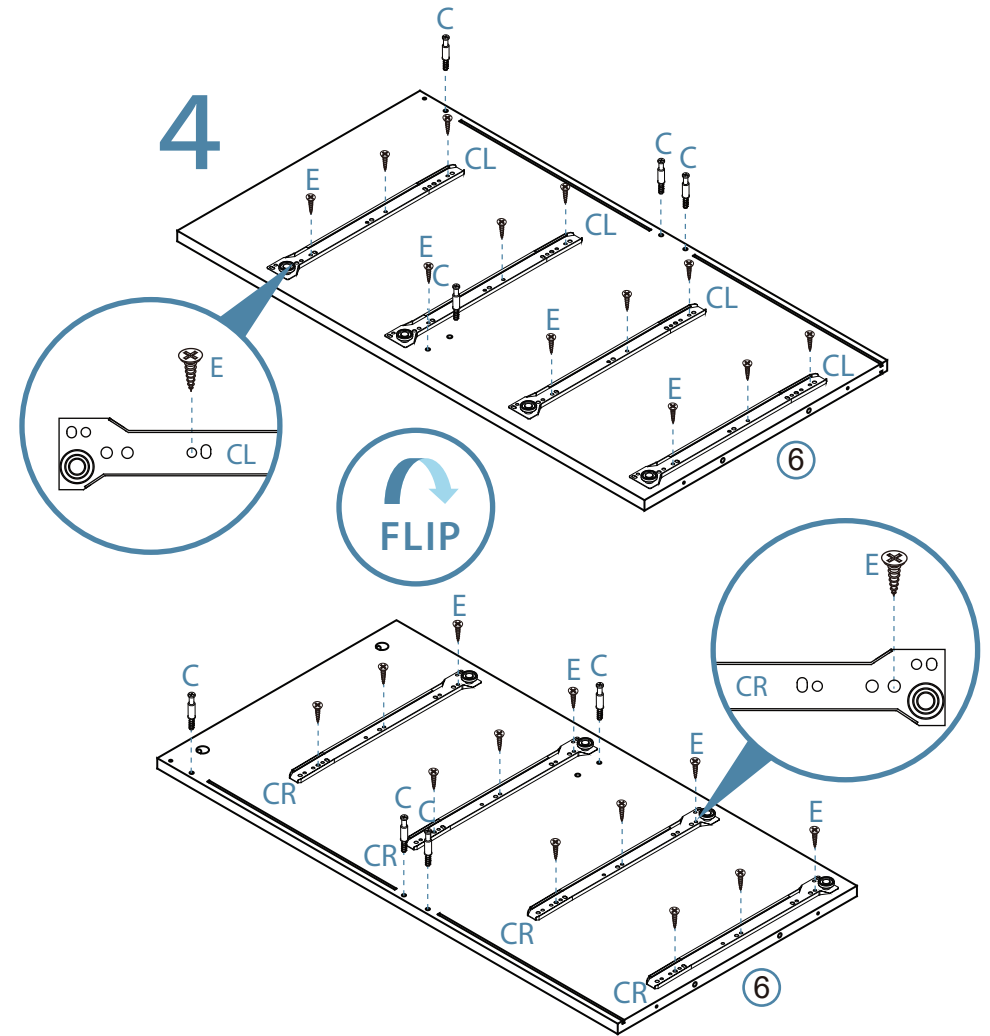
Mocka.

Eclipse

Eight Drawer



Attach 4x slide rails (CL) to panel [3] and secure with 12x screws (E). Insert 4x bolts (C) into panel [3]. Tighten with a screwdriver. Attach 4x slide rails (CR) to panel [4] and secure with 12x screws (E). Insert 4x bolts (C) into panel [4]. Tighten with a screwdriver.

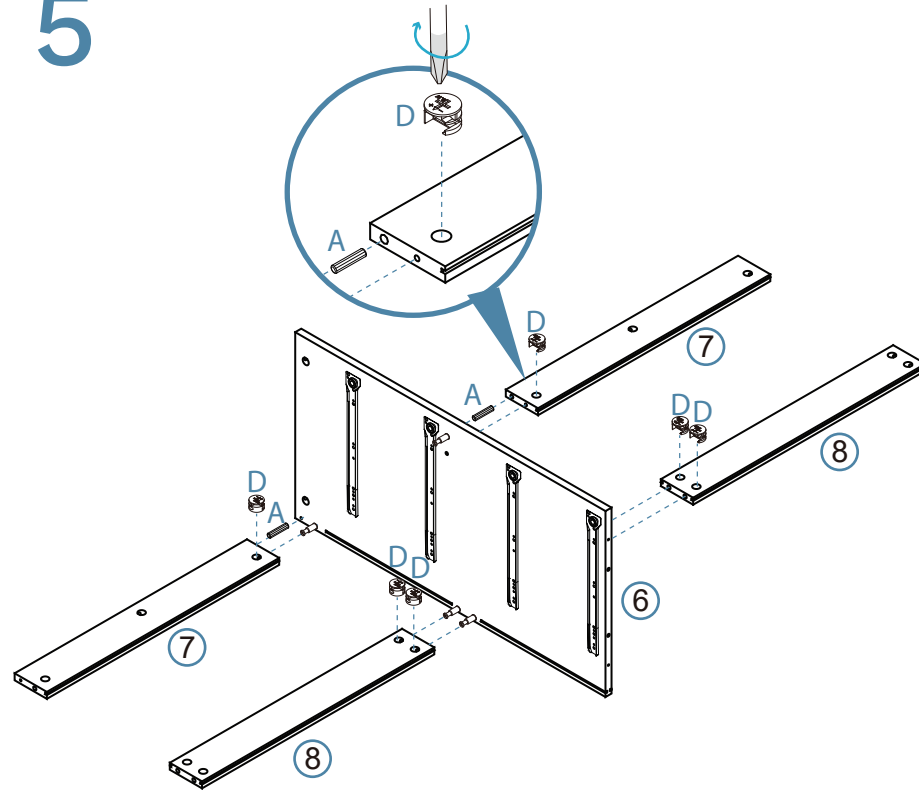


Attach 4x slide rails (CL) and 4x slide rails (CR) to panel [6] as shown. secure with 24x screws (E). Insert 8x bolts (C) into panels [6]. Tighten with a screwdriver.

Eclipse

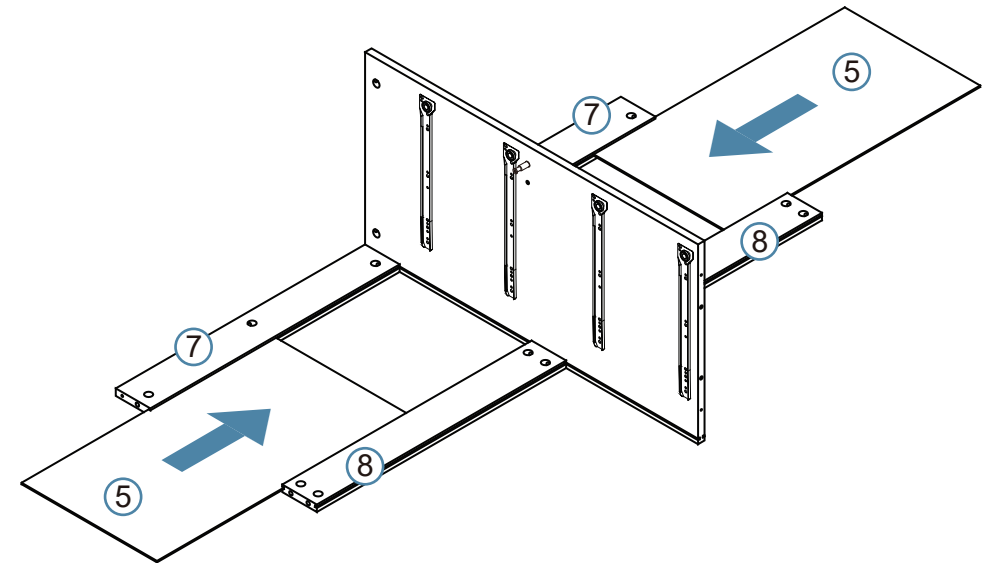
Eight Drawer

5



Attach panels [7] and [8] to panel [6] with 2x dowels (A) and secure with 6x locking nuts (D). Tighten with a screwdriver.

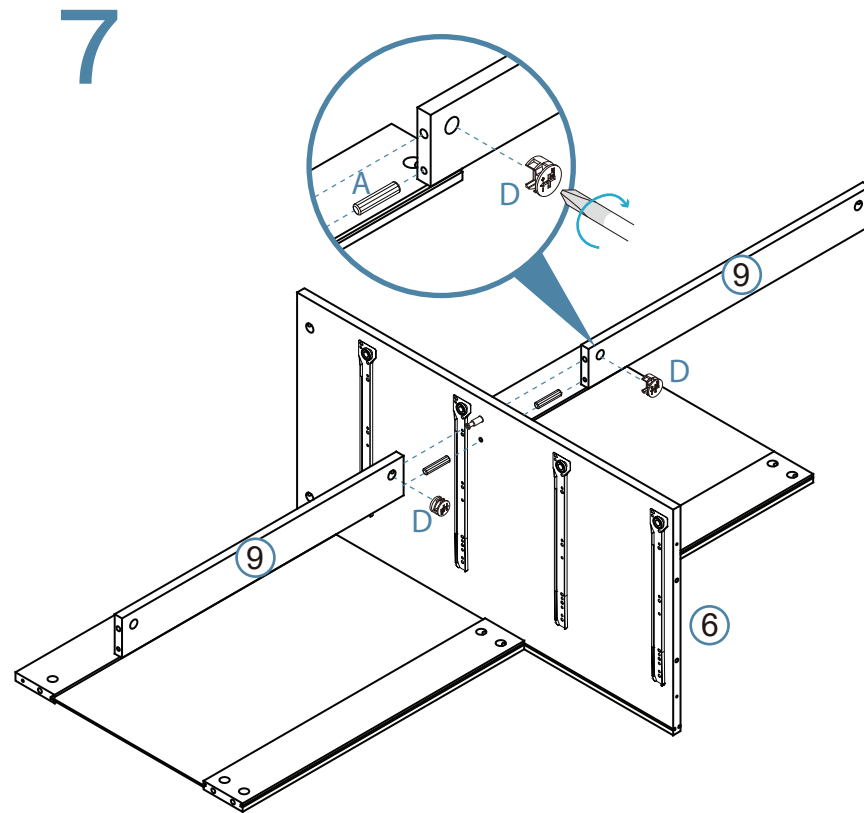
6



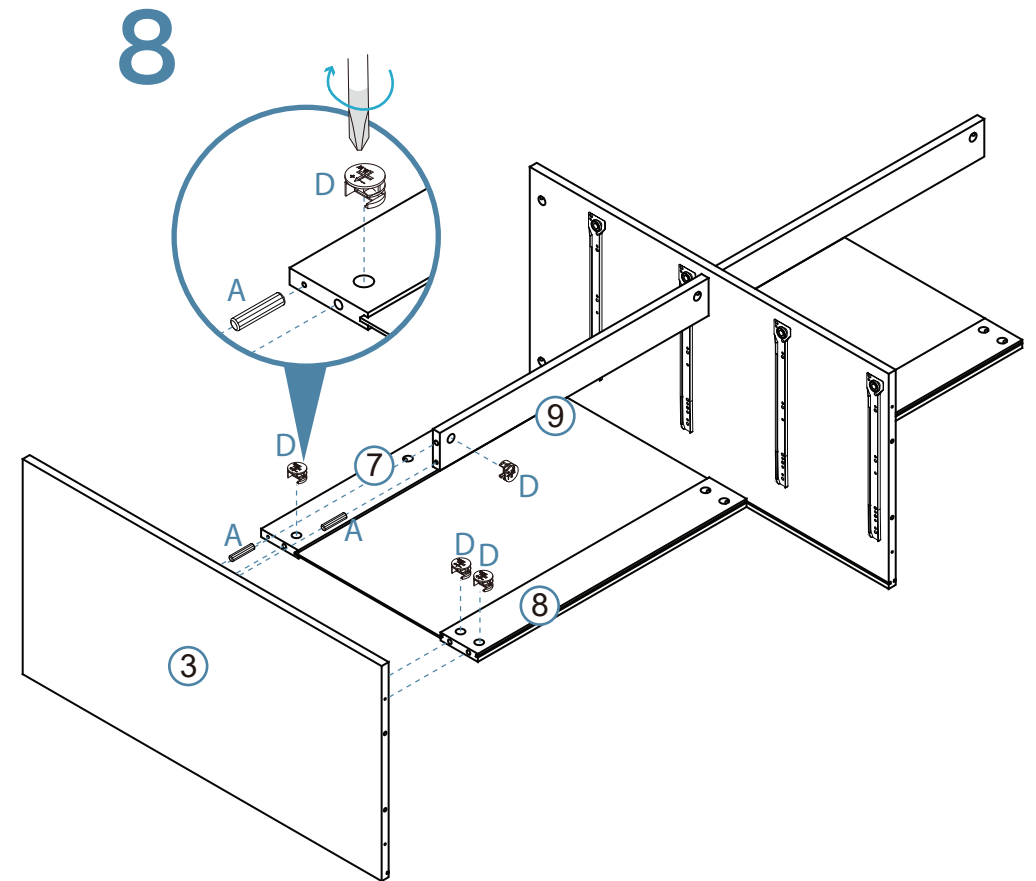
Slide panels [5] down along the grooves between the panels [7] and [8] as shown.

Eclipse

Eight Drawer



Attach panels [9] to panel [6] with 2x dowels (A) and secure with 2x locking nuts (D). Tighten with a screwdriver.

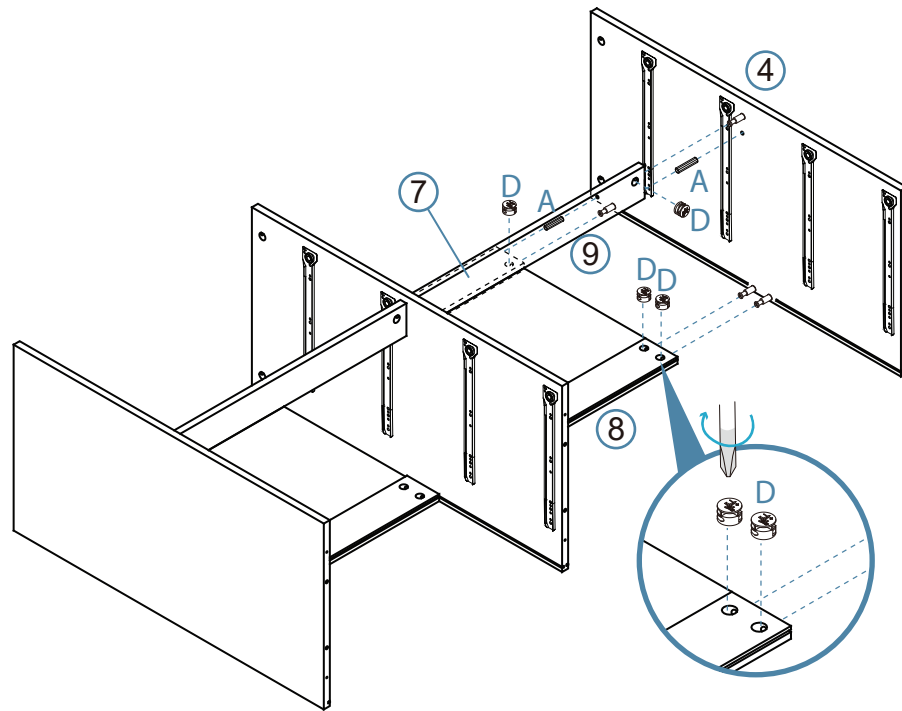


Attach panel [3] to panels [7], [8] and [9] with 2x dowels (A) and secure with 4x locking nuts (D). Tighten with a screwdriver.

Eclipse

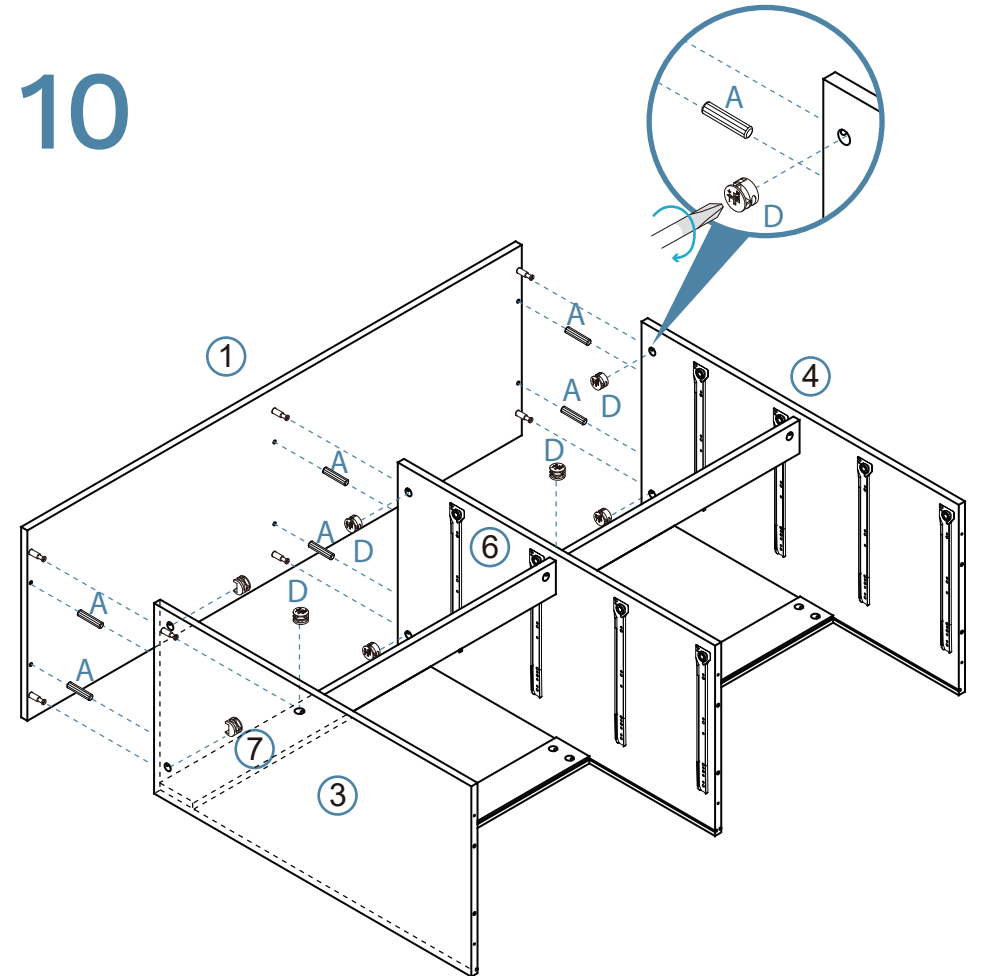
Eight Drawer

9



Attach panel [4] to panels [7], [8] and [9] with 2x dowels (A) and secure with 4x locking nuts (D). Tighten with a screwdriver.

10

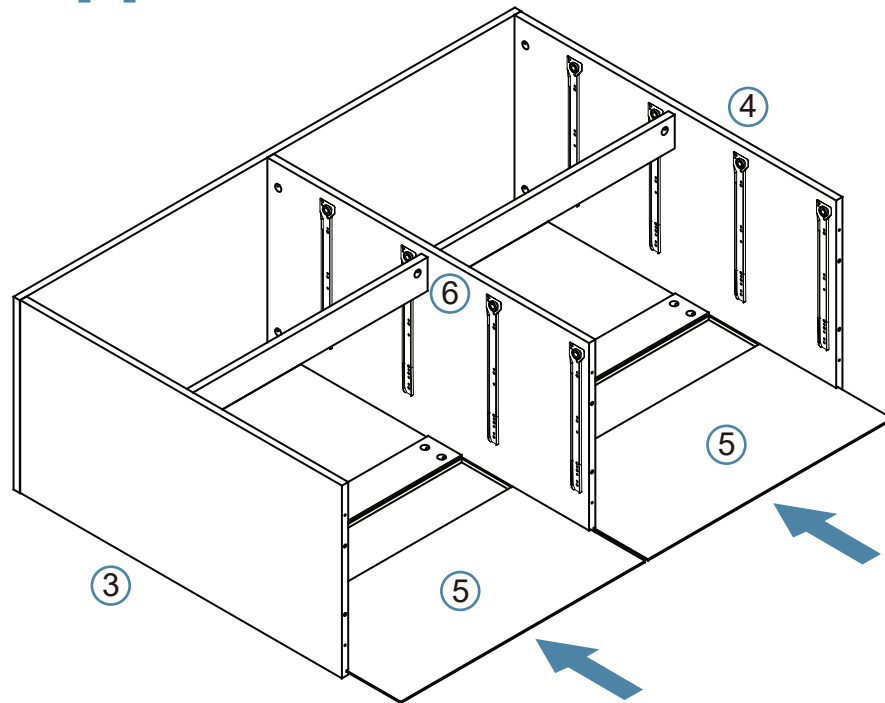


Attach panel [1] to panels [3], [4], [6] and [7] with 6x dowel (A) and secure with 8x locking nuts (D). Tighten with a screwdriver.

Eclipse

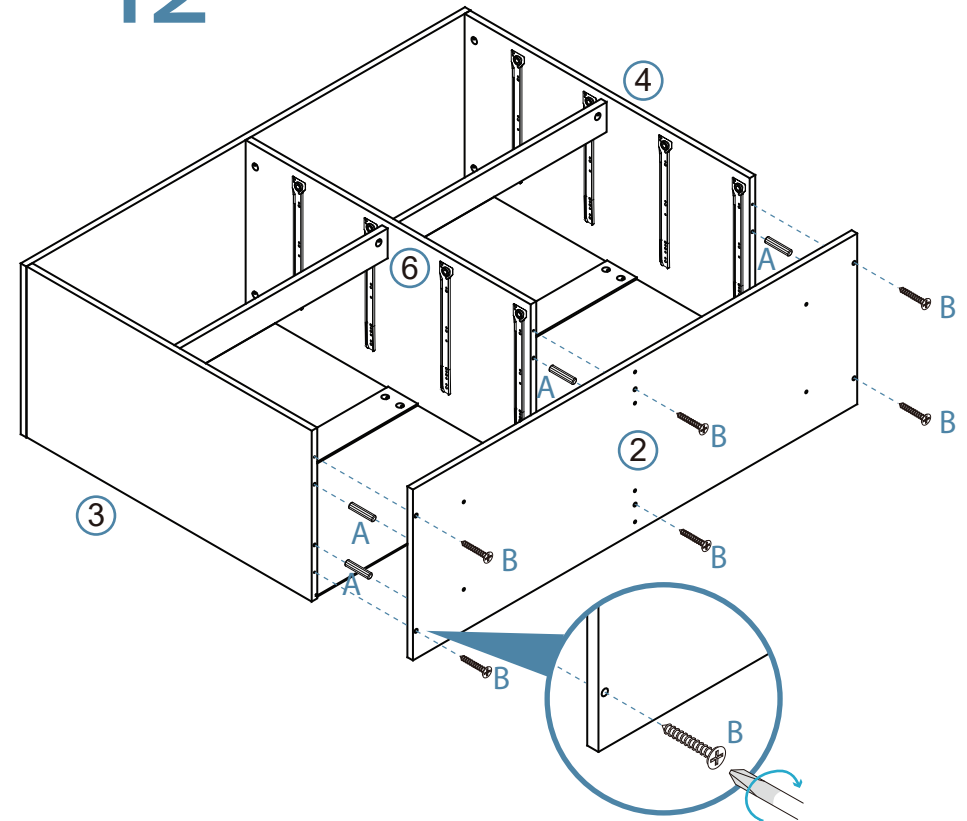
Eight Drawer

11



Slide panels [5] down along the grooves between the panels [3], [4] and [6] as shown.

12

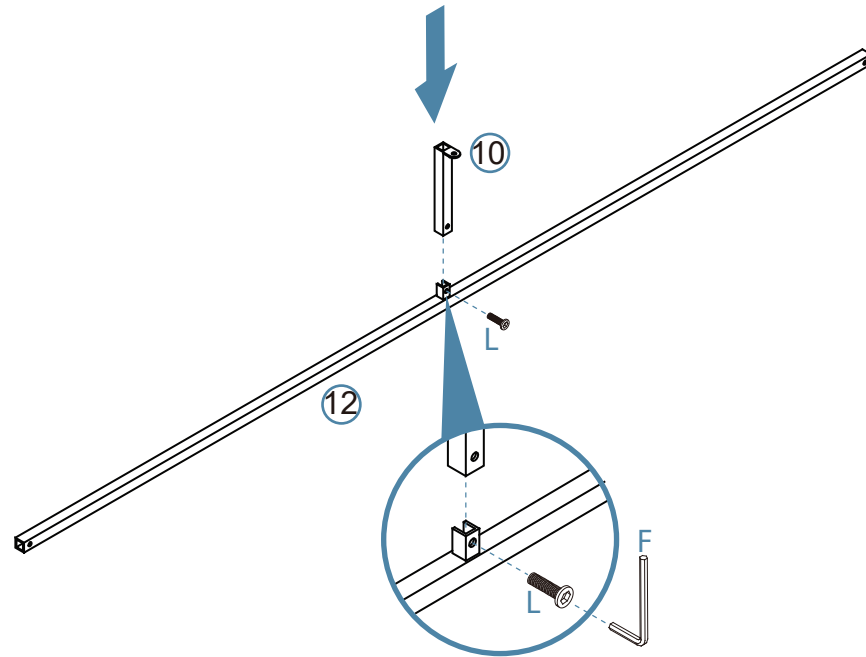


Attach panel [2] to the unit with 6x dowels (A) and secure with 6x screws (B). Tighten with a screwdriver.

Eclipse

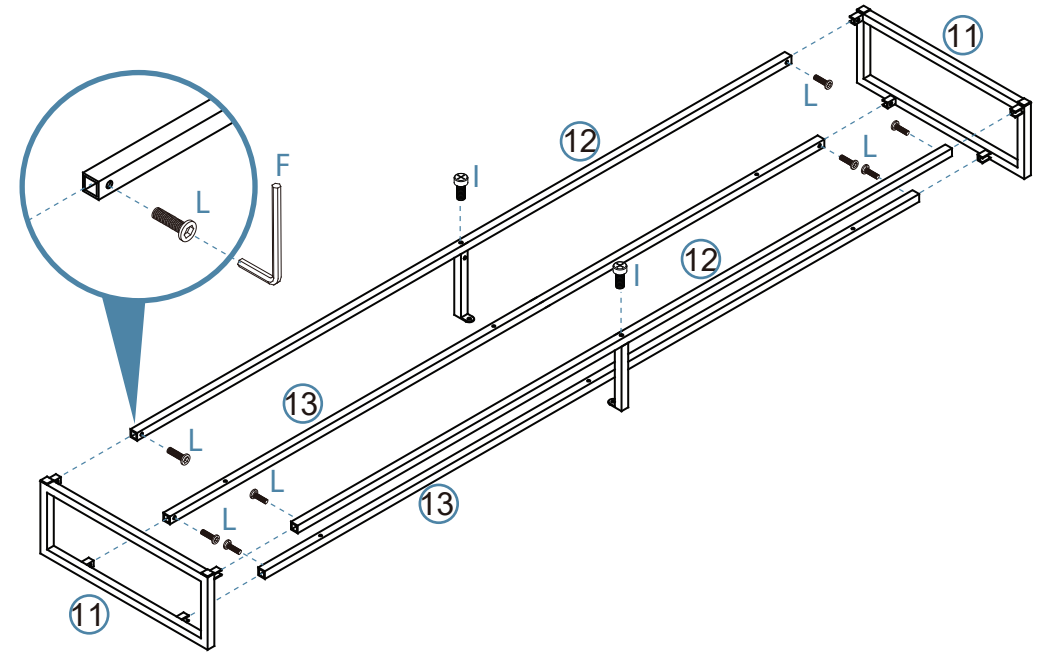
Eight Drawer

13 x2



Attach panel [10] to panel [12] and secure with 1x bolts (L).
Tighten with an Allen Key (F)

14

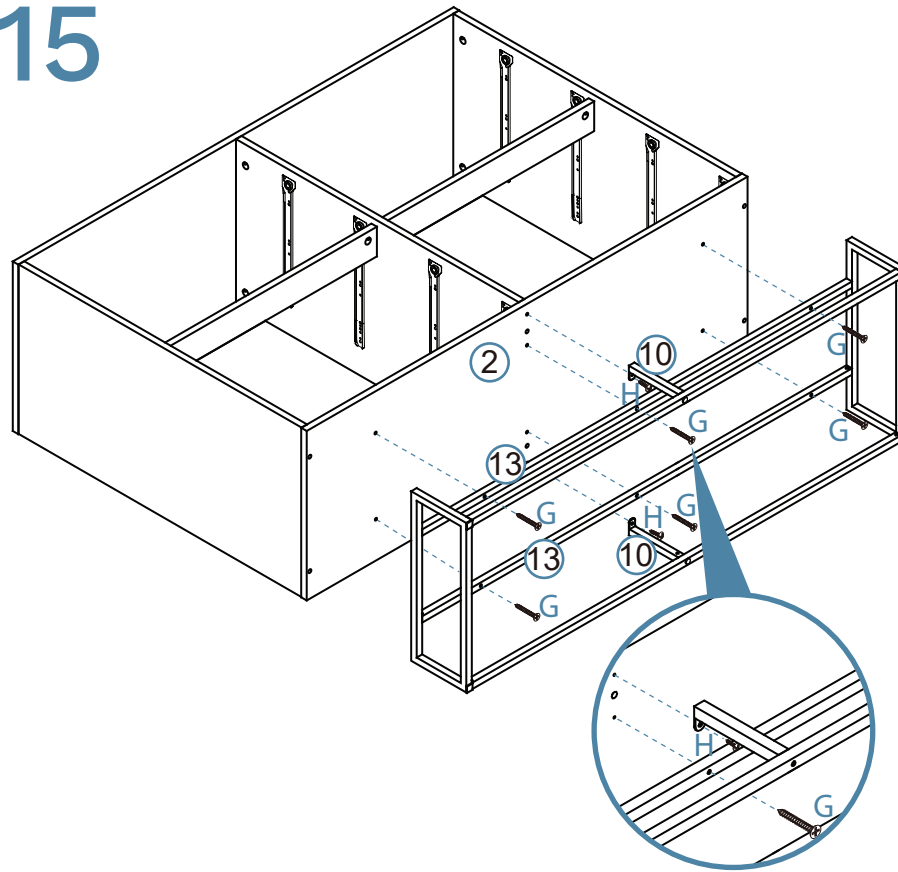


Attach panels [11] to panels [12] and [13] and secure with 8x bolts (L).
Tighten with an Allen Key (F). Attach 2x height adjuster (I) to panels [12] as shown.

Eclipse

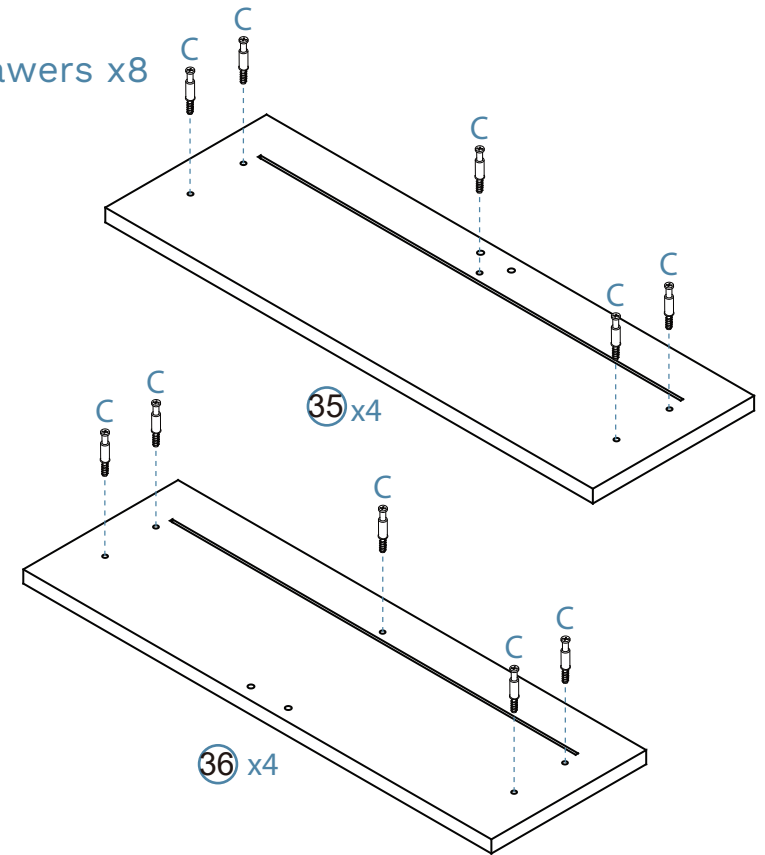
Eight Drawer

15



Attach panels [13] to panel [2] and secure with 6x screws (G). Attach panels [10] to panel [2] and secure with 2x screws (H). Tighten with a screwdriver.

16 Drawers x8

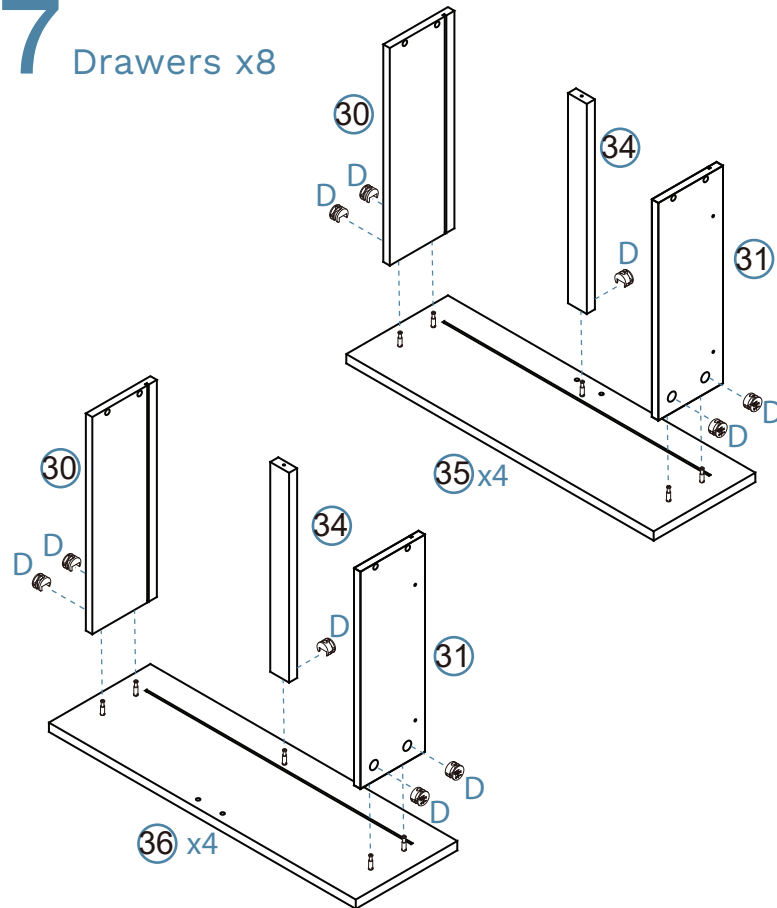


Insert 40x bolts (C) into panels [35] and [36]. Tighten with a screwdriver.

Eclipse

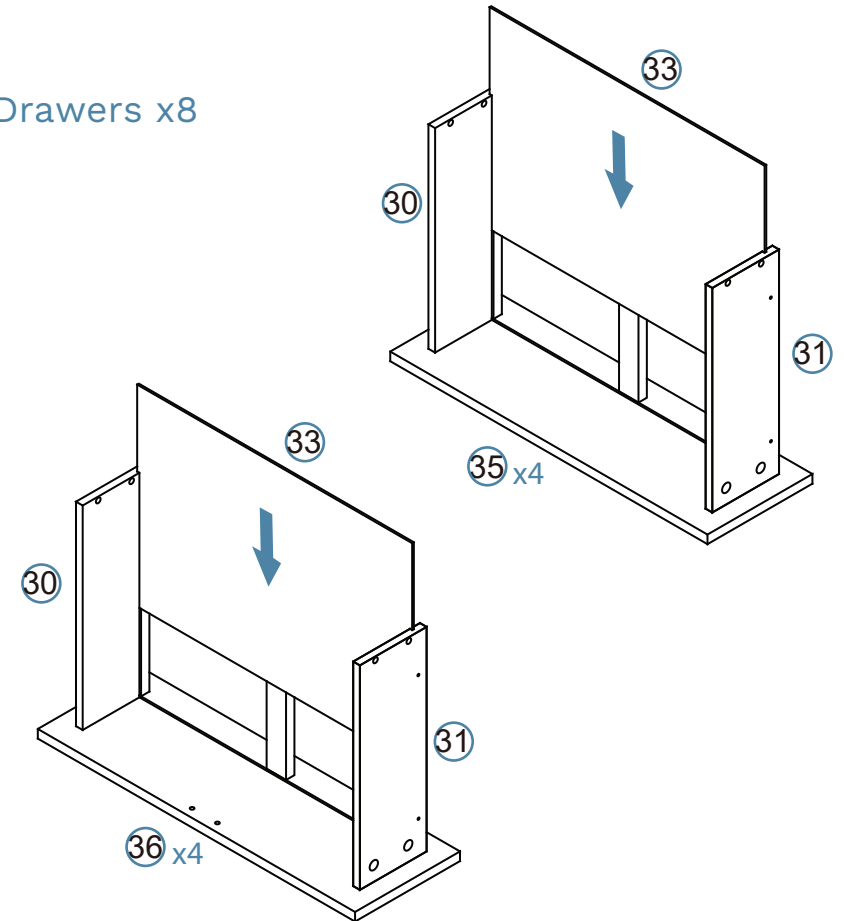
Eight Drawer

17 Drawers x8



Attach panels [30], [31] and panel [34] to panels [35] and [36] and secure with 40x locking nuts (D). Tighten with a screwdriver.

18 Drawers x8



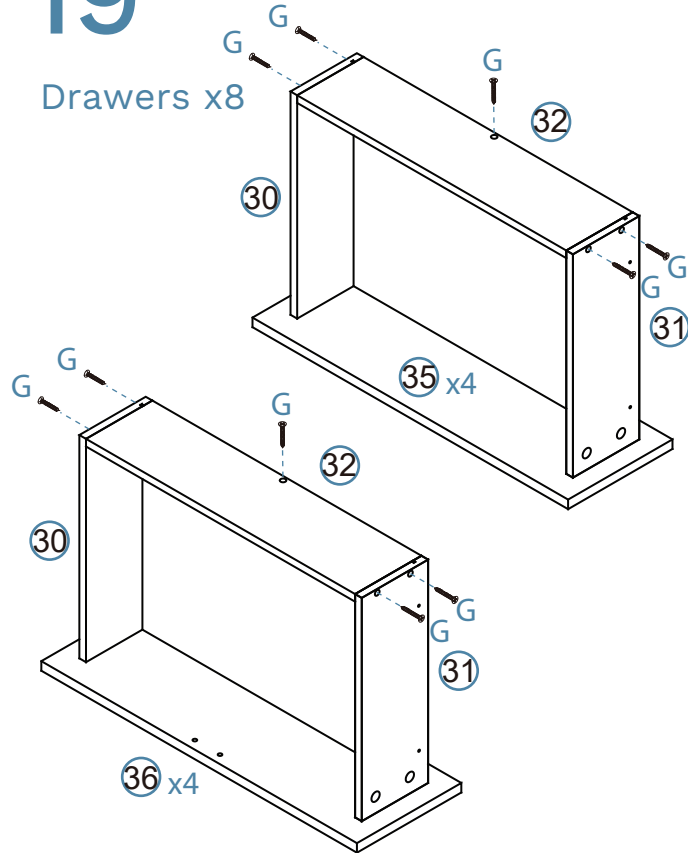
Slide panels [33] down along the grooves between the side panels [30] and [31] as shown.

Eclipse

Eight Drawer

19

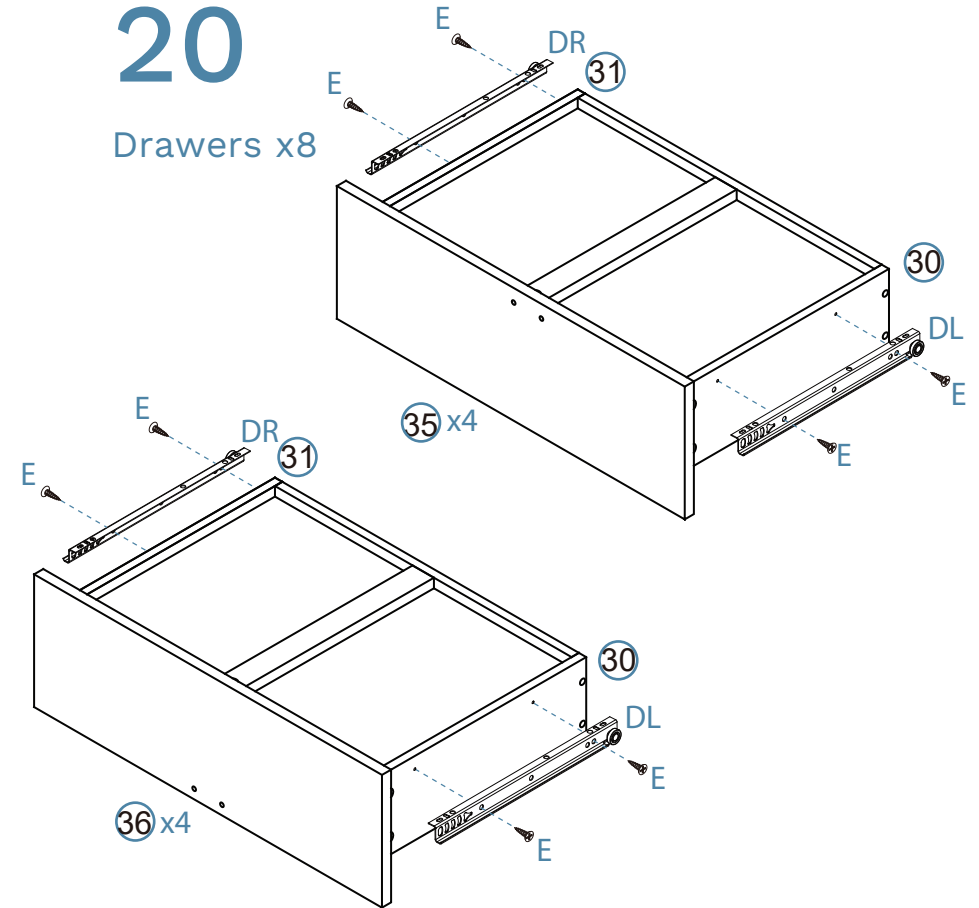
Drawers x8



Attach panels [30], [31], [32] and [34] together as shown using 40x screws (G). Tighten with a screwdriver.

20

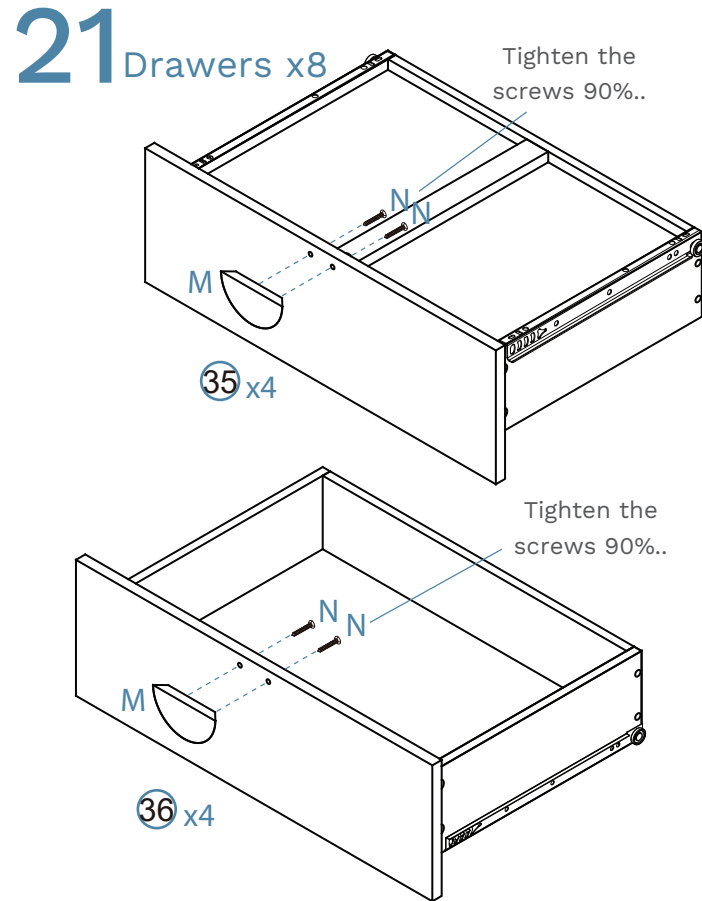
Drawers x8



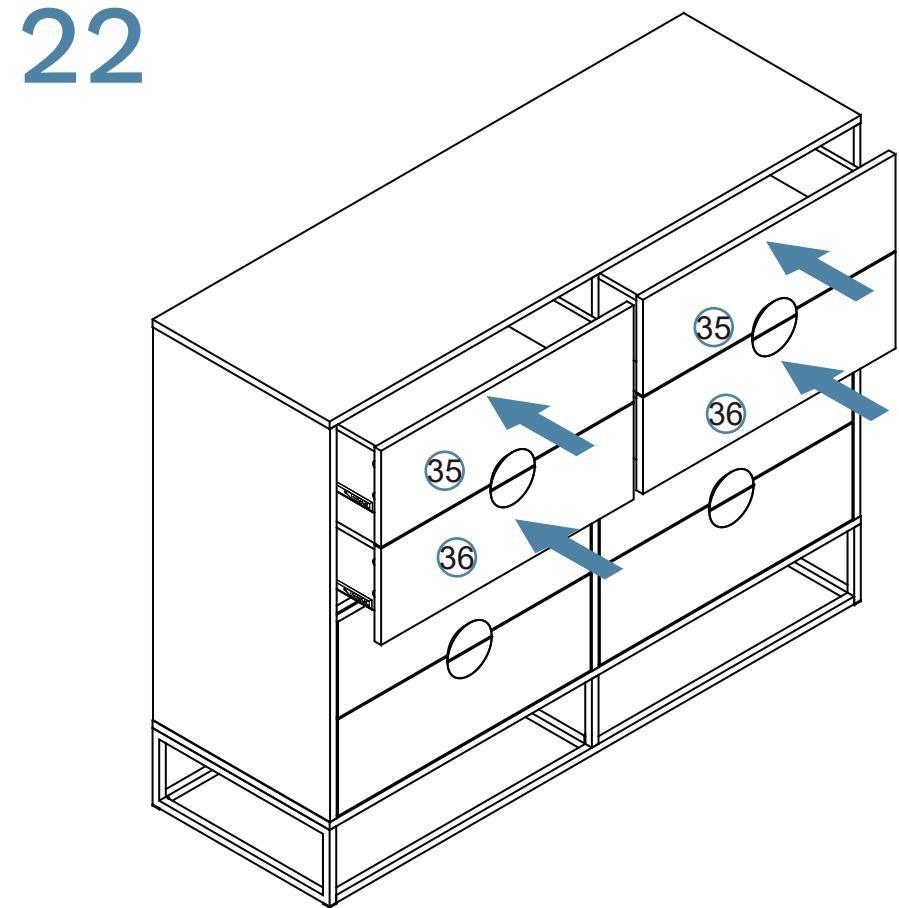
Attach slide rail (DL) and slide rail (DR) to the underside of the side panels [30] and [31] as shown. Secure with 32x screws (E) tighten with a screwdriver.

Eclipse

Eight Drawer



Attach 8x handles (M) to panels [35] and [36] and secure with 16x handle screws (N). Tighten with a screwdriver.



Insert the assembled drawers into the corresponding compartments as shown. Ensure the drawers slide easily along the rails.